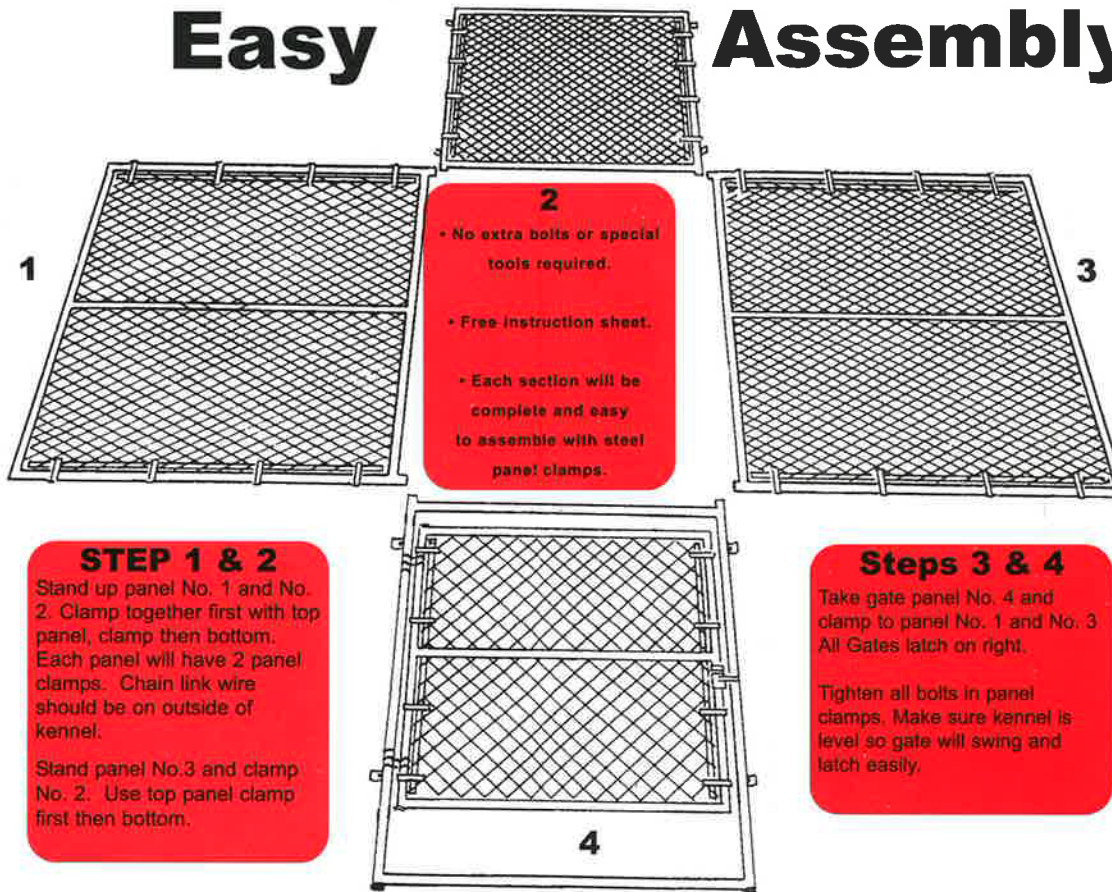


Easy Assembly

KENNELS



STEP 1 & 2

Stand up panel No. 1 and No. 2. Clamp together first with top panel, clamp then bottom. Each panel will have 2 panel clamps. Chain link wire should be on outside of kennel.

Stand panel No.3 and clamp No. 2. Use top panel clamp first then bottom.

Steps 3 & 4

Take gate panel No. 4 and clamp to panel No. 1 and No. 3. All Gates latch on right.

Tighten all bolts in panel clamps. Make sure kennel is level so gate will swing and latch easily.

STURDY CONSTRUCTION

- 1-3/8 OD galvanized pipe used throughout kennel.
- 2" mesh 9 gauge galvanized after weaving chain link.
- All gates complete with brace
- Steel ties attach fabric to pipe on top and bottom.
- Patented gate clips snap in place, securing tension bar to post and keeping fabric tight in panel.
- Patented Safe-T "Flip Latch" allows gate to be opened from both sides. Installs in minutes! Very difficult for a dog to operate. Provision for padlock.
- Welded for sturdy construction.
- Free standing - no posts required.

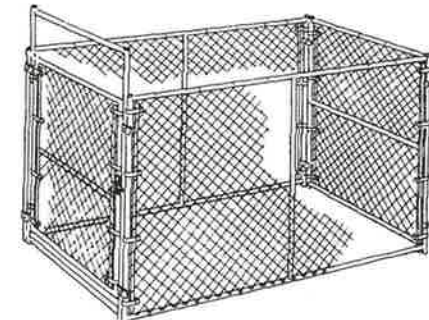
ADD-ON CAPABILITY

- All Madsen Kennels may be enlarged by addition of extra panel sections. Example: 4' wide by 10' long may be enlarged to 10' wide by 10' long by just adding one 6' panel. Likewise, this 10' wide by 10' long may be enlarged to 10' wide by 20' long by adding one 10' panel.
- Top panels may be added.

MADSEN KENNELS
DEALER



Free Standing
Completely Portable



Custom Kennels by Madsen
Maximum Safety
And Security

MADSEN FENCE LTD.

R.R. 5 SITE 16 BOX 92
Prince Albert, Saskatchewan S6V 5R3

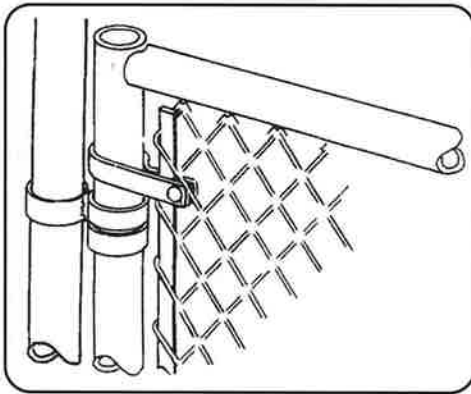
Prince Albert 763-4264

Saskatoon 249-6742

Toll Free: 1-800-596-WIRE

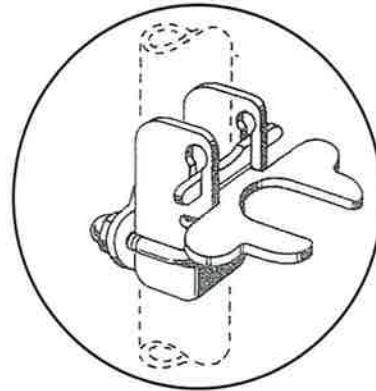
(9473)

Email: madsenfence@sasktel.net



Collar Hinge

This hinge reduces clearance between frame and gate to approximately 3/8". It is made for square welded gates. The gate itself (one side) becomes a part of the hinge assembly, and takes the place of the regular frame hinge.

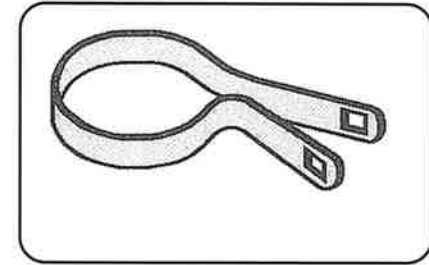


"FLIP-LATCH" offers a new concept in Kennel latches . . . Simply lift keeper and roll back for open position . . . To latch, flip keeper away from gate, allowing it to engage post and latch itself.

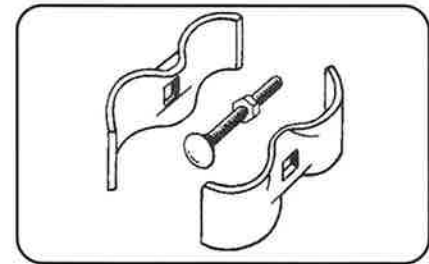
May be mounted left or right . . . for gates swinging in or out . . . Opens from both sides - Easy for people, but ALMOST IMPOSSIBLE for dogs. Only 7/8" clearance between posts.

Installs in minutes! Position latching assembly and "U" bolt, attach nuts and tighten. NO DRILLING . . . Or, may be welded . . . Provides for use with padlock.

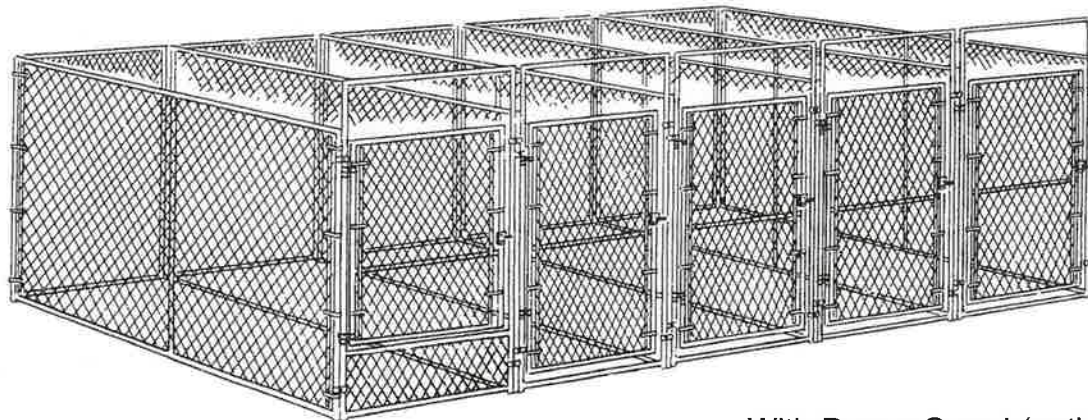
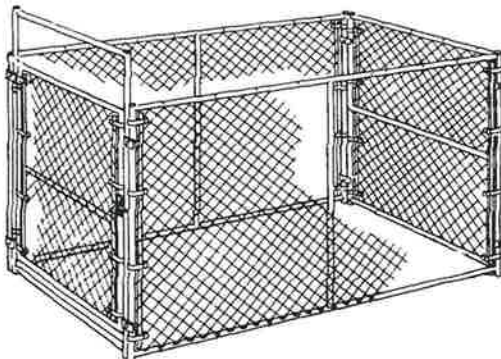
No sharp edges to injure your dog . . . SAFE!



Tension Bands used for safety and security. Smooth, rounded edges. Prevents injury to your dog.



Panels join together with panel clamps. 3/8" clearance between panel posts.



With Puppy Guard (optional).